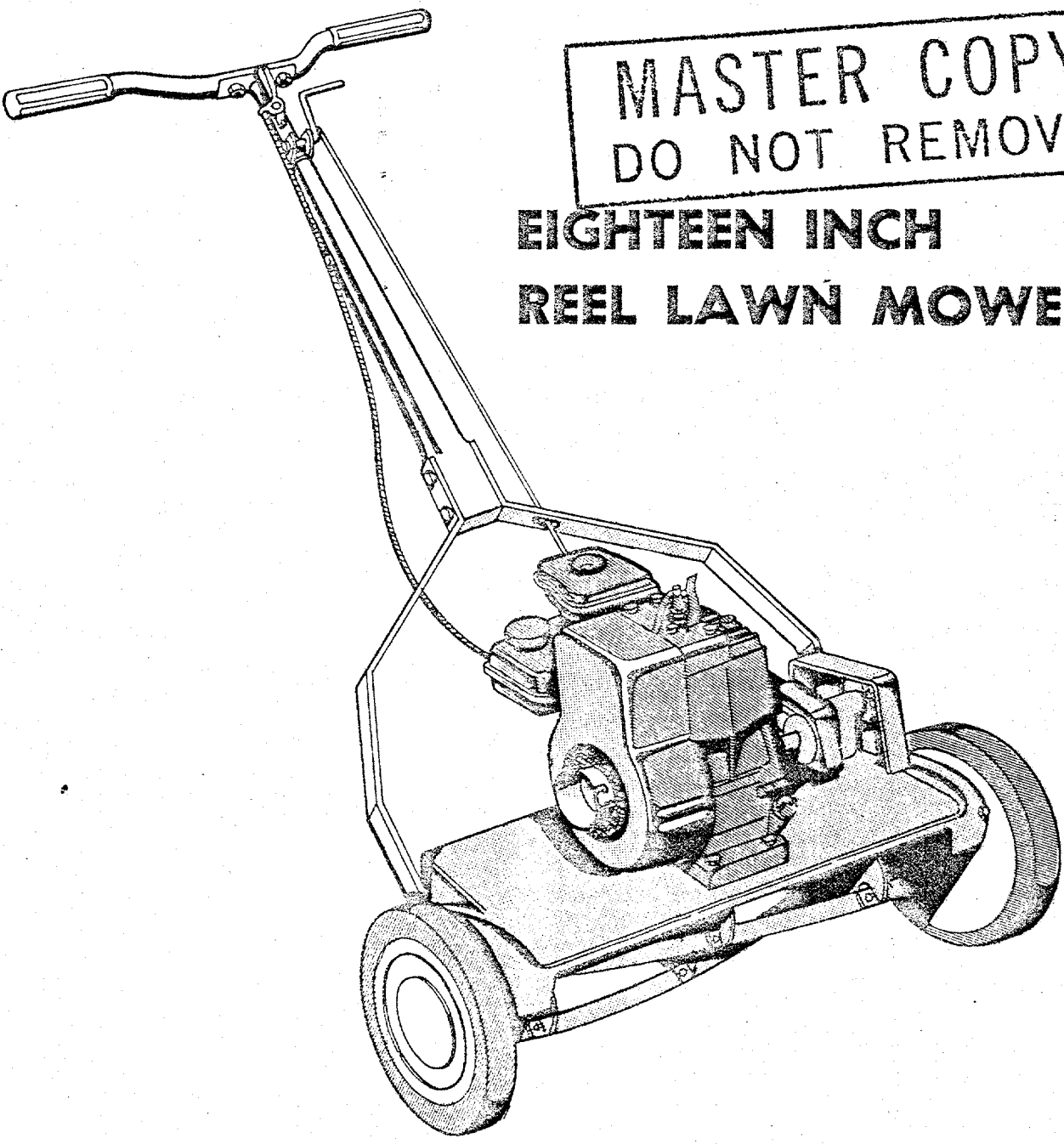


owner's guide and parts list

MODEL NO. ZYJ-192A

**MASTER COPY
DO NOT REMOVE**

**EIGHTEEN INCH
REEL LAWN MOWER**



MONTGOMERY WARD

BEFORE STARTING ENGINE

1. (Fig. 1) Remove oil fill plug. Place mower level and fill engine crankcase to top of oil fill plug with S.A.E. No. 30 oil. Tilt mower to make sure oil flows completely into crankcase. Replace fill plug and tighten.
2. The air cleaner protects the engine against grit and dirt. CAUTION, an extremely dirty air cleaner element may cause engine to stall. SEE ENGINE INSTRUCTION MANUAL FOR PROPER AIR CLEANER MAINTENANCE.
3. Fill tank with good grade regular, clean fresh gasoline. DO NOT MIX OIL with gasoline.

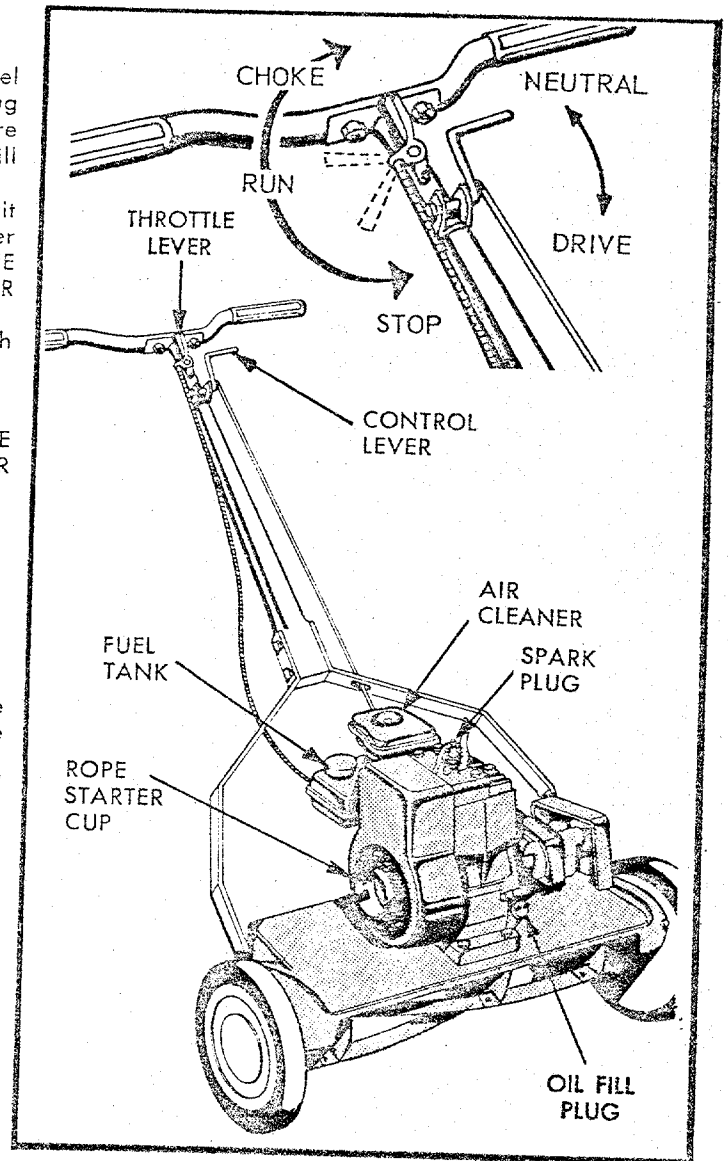
FOR COMPLETE ENGINE INFORMATION READ ENGINE INSTRUCTION BOOKLET FURNISHED WITH YOUR MOWER BEFORE STARTING OR OPERATING.

TO START ENGINE

1. Move control lever to NEUTRAL position
2. Set throttle lever in choke position.
3. Pull starter rope with quick full stroke once. Move throttle lever to "FAST" position. Pull starter rope again.
4. When engine starts move throttle lever to "IDLE" position until engine warms up. Regulate engine speed with hand lever from "IDLE" to "FAST."

OPERATING CONTROLS

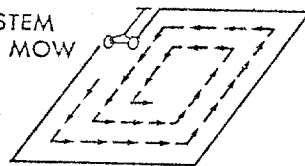
1. Set operating control lever to "DRIVE" position for mowing
2. Throttle lever regulates choke, run, idle and stop.



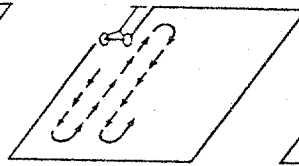
OPERATING AND LAWN MOWING HINTS

1. Don't cut your grass to short. The best height is 1½ to 2 inches. See instructions for cutting height adjustment.
2. Your Power Reel mower is easy to transport. Push down on handle, tilt mower on rollers and push your mower. The blades will be raised for passing over rocks, curbs, etc.

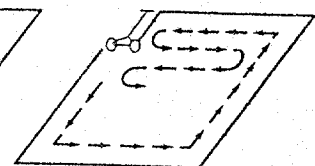
USE A SYSTEM
WHEN YOU MOW



This way gets the edges
—it's real fast and it's
real work!



A pause at each end is
more restful but it misses
the edges.



COMBINE FOR
BEST RESULTS

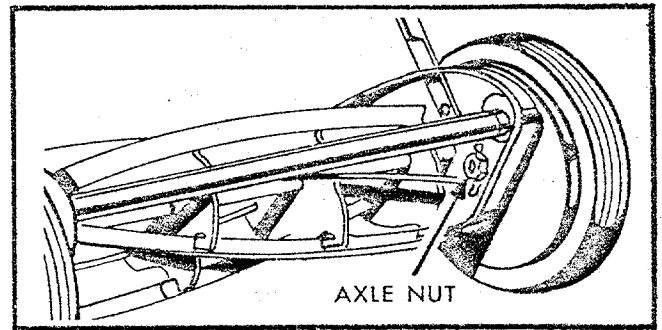
IMPORTANT

DISCONNECT SPARK PLUG WIRE BEFORE MAKING MOWER ADJUSTMENTS.

ADJUSTMENTS

TO CHANGE WHEELS FROM HIGH TO LOW CUT

1. Loosen axle nuts on inside of end plates and move axle up to desired position (Fig. 2). Be sure both wheels are located in same relative position and tighten axle nuts securely. **IMPORTANT** axle nut shoulders must be properly seated in notches.

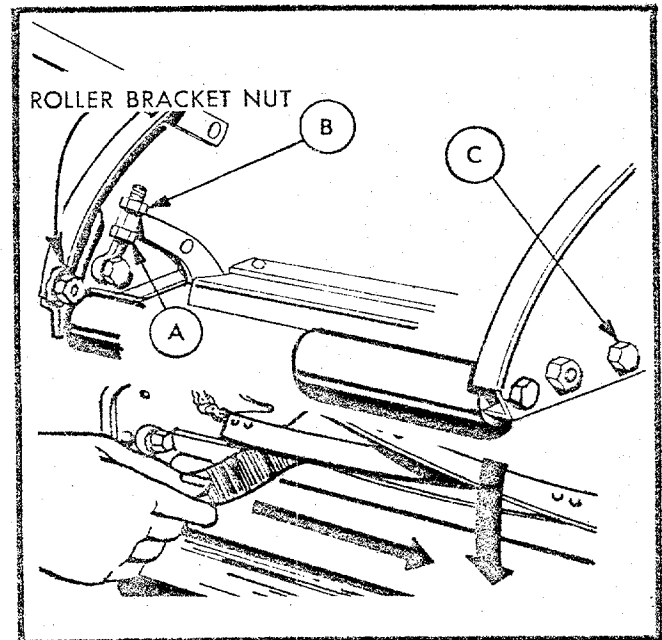


TO ADJUST ROLLER

Loosen roller bracket nuts and move roller up or down to attain desired height of cut and level chassis.

TO TIGHTEN CUTTER BAR ADJUSTMENT

1. Loosen lower adjusting nut (A) and tighten upper adjusting nut (B) until reel contacts cutter bar lightly (Fig. 3). Adjustment may also be determined by inserting strip of newspaper between reel and cutting bar. Reel should cut the paper when turned backwards slowly. Tighten nuts (A) and (B) securely.
2. **IMPORTANT** Cutter bar pivot bolts (C) must be tight after adjustment. Right hand pivot bolt on right hand side of mower must be turned counter-clockwise. Left hand pivot bolt must be turned clockwise to tighten.



TO ADJUST CHAIN DRIVE

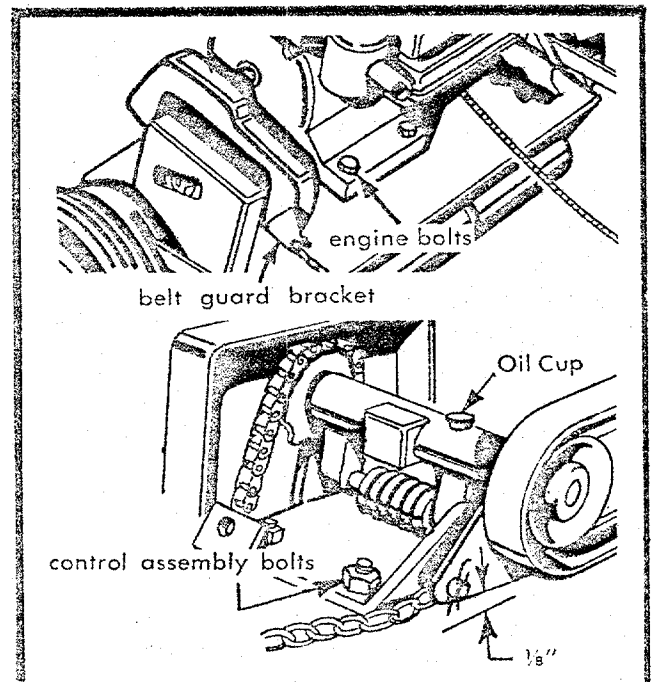
1. Set hand control lever in "DRIVE" position.
2. Loosen 4 engine mount bolts and pull engine back.
3. Loosen 4 control assembly bolts.
4. Pull the control assembly back to tighten chain. Allow $\frac{1}{8}$ inch slack in chain. Tighten 4 control bolts. Leave spacer plate nut loose.

TO TIGHTEN DRIVE BELT

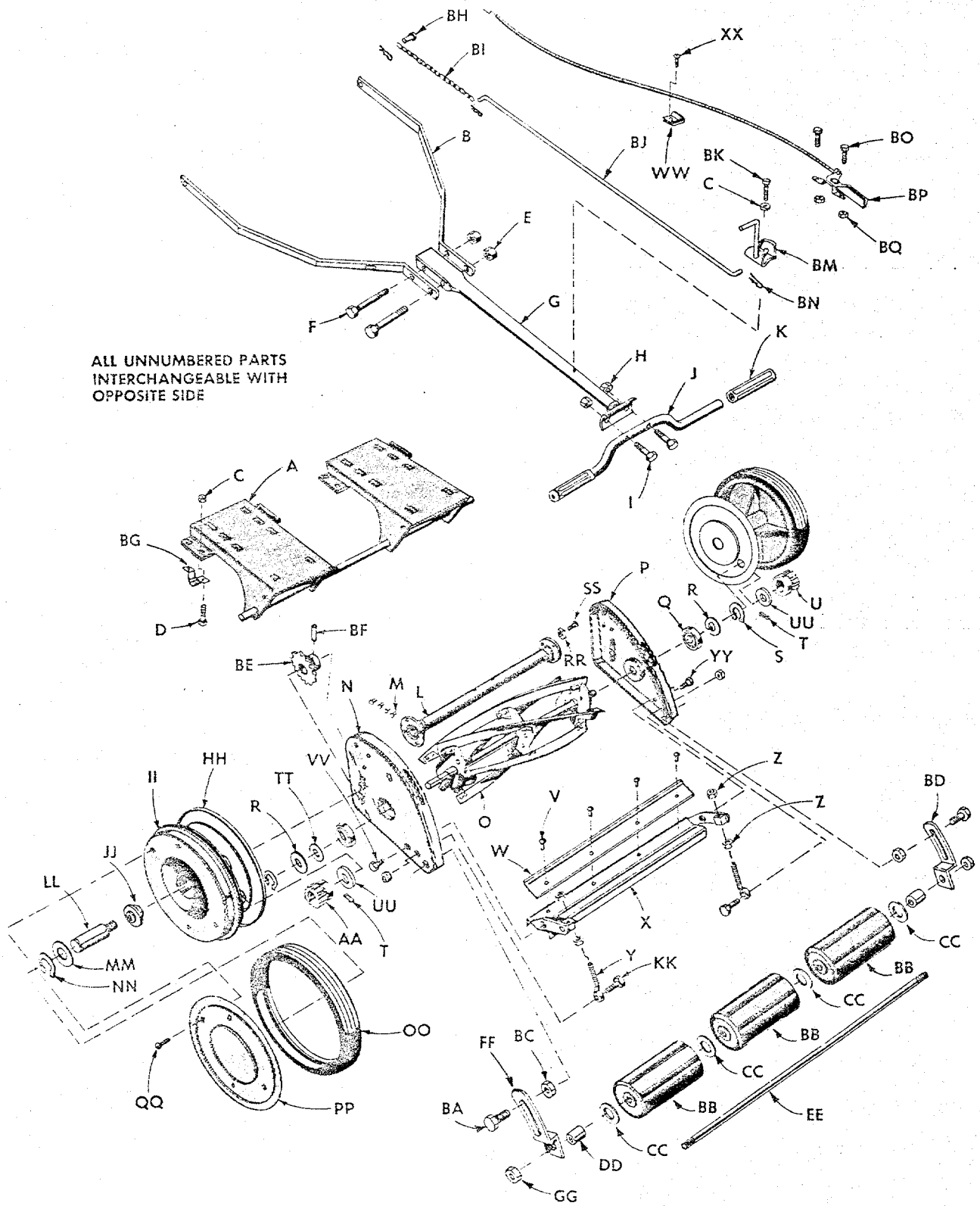
1. Loosen engine mounting bolts, place control lever in drive position, and move engine forward until approximately $\frac{1}{8}$ " clearance is attained between belt guard bracket and mower deck as shown. Retighten engine bolts securely.

LUBRICATION

1. Seals on all bearings hold dirt out and grease in. Your mower left the factory properly lubricated at these points and no further attention is required until mower is sharpened.
2. Lubricate roller and Jackshaft periodically as req'd.



ALL UNNUMBERED PARTS
INTERCHANGEABLE WITH
OPPOSITE SIDE



WARRANTY

This lawn mower was inspected before shipment from our factory. We warrant it to be free from defects in material and workmanship and to operate satisfactorily when used for the purpose designed, provided it is properly assembled and operated according to the Owner's Guide.

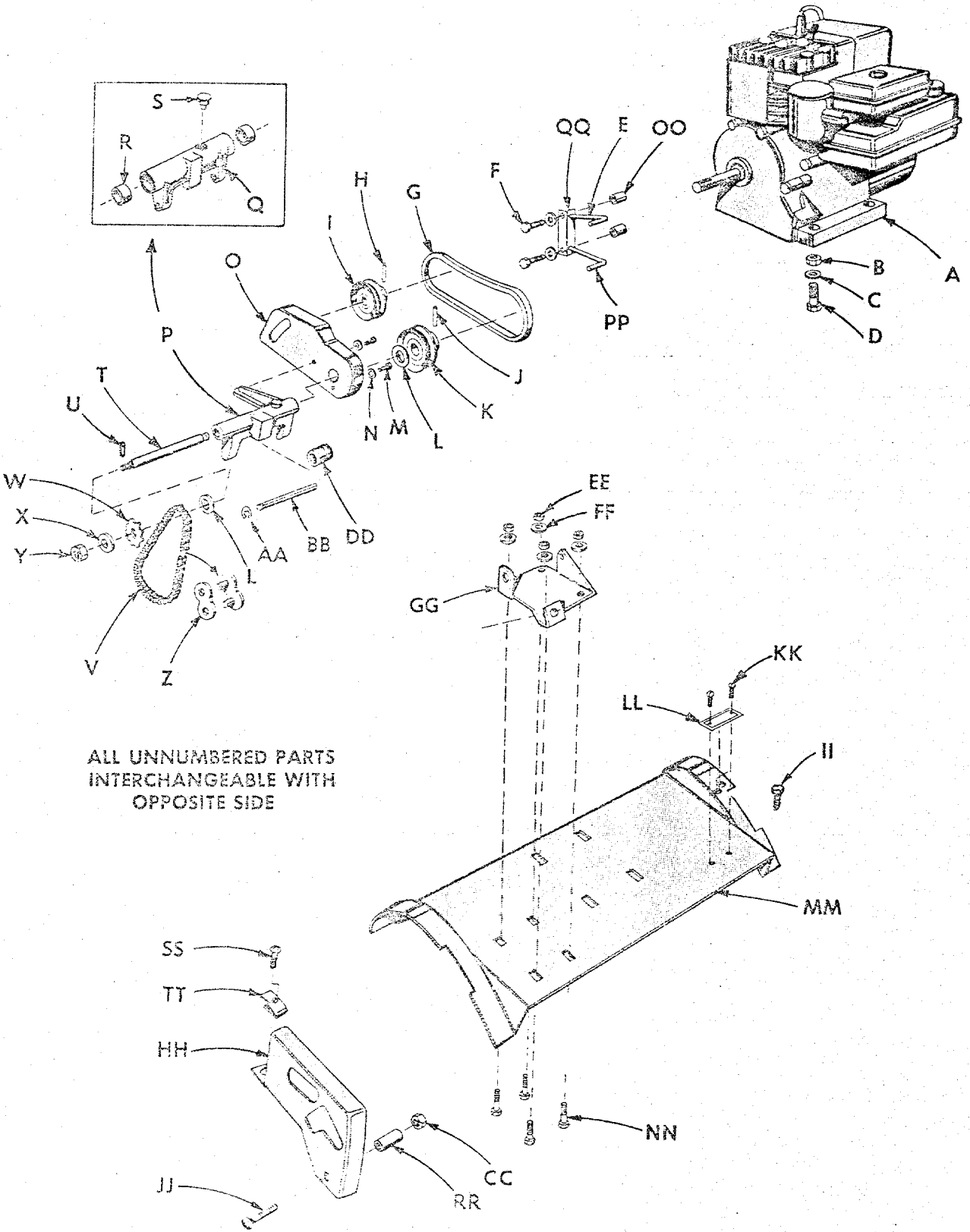
WARRANTY—For a period of one year from date of purchase, Wards will furnish without charge, when brought to a Ward Branch, any labor necessary to repair, replace or examine any part or assembly of this mower that is defective in material or workmanship subject to our examination.
This Warranty is in lieu of all other warranties, expressed or implied.

PARTS LIST

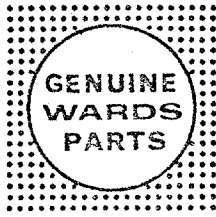
MODEL — ZYJ — 192A

Your Mower is right hand (R.H.) or left hand (L.H.) as you push.

REF. LTR.	PART NO.	NAME OF PART	REF. LTR.	PART NO.	NAME OF PART
A	2132-42-48	Engine Bracket.....	JJ	1137-3	Nut—Special.....
B	3603-53-41	Handle Brace.....	KK	1513-42	Screw—Special.....
C	1538-8	Nut (¼-20 Lock).....	LL	1631-27	Axle.....
D	1529-15	*Bolt (¼-20 x ¾ Carr.).....	MM	1540-31	Washer.....
E	70	*Nut (¾-18 hex).....	NN	1650-22	*Retaining Ring.....
F	769	*Bolt (¾-18 x 2 hex hd).....	OO	2619-31	Tire.....
G	2117-21-41	Handle Shaft.....	PP	2674-23-41	Hub Cap.....
H	67	*Nut (¼-20 hex).....	QQ	1507-3	*Screw (10-32).....
I	1509-31	*Bolt (¼-20 x 1½ hex. hd.).....	RR	116	*Nut (10-32 square).....
J	2664-5-41	Cross Handle.....	SS	117	*Screw (10-32 x ¼).....
K	1710-7	Handle Grip.....	TT	1552-7	Wave Washer.....
L	1112-22-48	Spacer Tube.....	UU	109	Felt Washer.....
M	1530-19	*Rivet.....	VV	455	Screw—Special.....
N	1129-193L-48	End Plate—L.H.....	WW	1694-12	Clamp.....
O	3135-29-48	Reel Assy.....	XX	1511-12	Screw (10-32 x ¾ Thd. Cut.).....
P	1129-194R-48	End Plate—R.H.....	YY	1509-86	Screw (¾-24—L.H. thd.).....
Q	1652-51	Bearing.....	BA	1509-37	Bolt (¾-18 x ¾).....
R	1540-22	Washer.....	BC	1539-33	Nut (¾-18 Special).....
S	1650-24	Retaining Ring.....	BD	2609-195-48	Bracket—R.H.....
T	323	Pawl.....	BE	2121-12	Sprocket.....
U	1635-29	Pinion—R.H.....	BF	1548-5	Rollpin.....
V	1531-11	*Rivet.....	BG	1609-199	Bracket.....
W	2604-24	Blade.....	BH	1545-7	Clevis Pin.....
X	3134-19-48	Cutter Bar with blade.....	BI	1654-9	Chain.....
Y	451	Bolt.....	BJ	1683-16	Clutch Rod.....
Z	52	*Nut (¾-24 hex).....	BK	1509-2	Bolt (¼-20 x 1½).....
AA	1635-30	Pinion—L.H.....	BL	1538-8	Nut (¼-20 Lock).....
BB	1658-15	Roller.....	BM	1132-26	Lever & Brkt Assy.....
CC	1540-59	*Washer.....	BN	1547-4	Hairpin Cotter.....
DD	1624-73	Spacer.....	BO	1509-3	Bolt (10-32 x 1½).....
EE	2632-90	Roller Shaft.....	BP	2142-48	Throttle Control.....
FF	2609-194-48	Bracket—L.H.....	BQ	1534-8	Nut (10-32 Hex Lock).....
GG	877	*Nut ¾-24 Hex. Lock "Gripco".....			
HH	1118-17-48	Gear Housing.....			
II	3636-15	Wheel.....			



HOW TO OBTAIN REPLACEMENT PARTS



Repair parts may be obtained from your Wards Retail Store, Catalog Store, or Mail Order House and will be made available at current prices. If requested, prices will be quoted in advance. NOTE: Many of the nuts, bolts, etc., listed in the parts list of this manual are standard hardware parts and are indicated with an asterick(*). These parts may be purchased locally for your convenience and for faster service. Check the Hardware Department of your local store.

When requesting repair parts, be sure to give the model and serial number which is shown on the model plate. Also give the part number and the name of the part as shown in the repair parts listing. In addition, when ordering parts for your gasoline engine, also furnish the information which appears on the engine model plate. If you order by mail, you will pay the transportation charges from the shipping point.

PARTS LIST

MODEL — ZYJ — 192A

REF. NO.	PART NO.	NAME OF PART	REF. NO.	PART NO.	NAME OF PART
A	Briggs & Stratton	Engine Model 60101 Type 940239	Y	1538-16	Nut (5/16-20 Hex Jam Lock Gripco)
B	70	*Nut (5/16 Hex)	Z	1113-13	Connector Link
C	1025	*Lockwasher (5/16)	AA	1650-10	Retaining Ring
D	1529-11	*Bolt (5/16-18 x 1 3/8 Carriage)	BB	1547-3	Pin
E	1724-7	Keeper-Belt Upper	CC	1534-8	Nut (10-32 Gripco)
F	1509-69	*Screw (1/2-20 x 1 3/4 Fillister Hd.)	DD	1642-30-48	Spring
G	1651-20	"V" Belt	EE	67	Nut (1/4-20 Hex)
H	1508-13	Set Screw (3/16-24 x 1/2 Self Lock)	FF	1018	Lockwasher
I	1626-40-41	Pulley	GG	3609-82-48	Bracket
J	1548-11	Rollpin	HH	3639-42-48	Guard
K	2120-34-41	Pulley Assembly	II	1513-8	Bolt (3/16-24 x 1/2 Sems)
L	1540-17	*Washer (3/8 x 1 1/16)	JJ	1501-20	Screw (10-32 x 1 3/4 Sems)
M	1511-9	*Screw (10-32 x 1/2 Sems. Ph. Hd. Thd.) (Cutting)	KK	1020	Screw (6 x 1/2 Self tap)
N	1540-55	Washer	LL	1605-256	Name Plate
O	1151-2-41	Belt Guard	MM	3153-22-48	Deck
P	2102-20-48	Jackshaft Housing, Bearings & Oiler Assembly	NN	1529-15	Bolt (1/4-20 x 3/8)
Q	3601-64-48	Jackshaft Housing	OO	1624-69	Spacer
R	1652-1	Bearing	PP	1724-9	Lower Belt Keeper
S	1691-2	Oiler	QQ	1606-48	Belt Keeper Bracket
T	1632-26	Jackshaft	RR	1624-117	Spacer
U	1546-2	Pin	SS	1522-3	*Bolt (#10 sht. mtl.)
V	1654-2	Chain	TT	1539-7	Nut "U" Type
W	1638-16	Sprocket			
X	1036	Washer			

HOW TO OBTAIN SERVICE

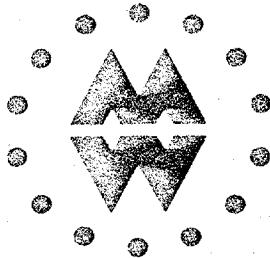


The merchandise you have purchased from us has been carefully engineered and manufactured under Wards rigid quality standards and should give you satisfactory and dependable operation. However, like all mechanical merchandise, it may occasionally require adjustment or maintenance. Should you ever need technical assistance, please contact or write your nearest Wards retail store, catalog store, or mail order house. Provide the following:

1. Model, serial number and all data shown on the model plate.
2. The date and the Wards branch from which you purchased your lawn mower.
3. State briefly the trouble you are having.

10 RULES FOR SAFE OPERATION

1. Do not attempt to clean, adjust or repair machine while engine is running.
2. Disconnect the wire from the spark plug before working on machine to prevent accidental starting.
3. Keep hands, feet and loose clothing clear of all moving parts. Do not attempt to remove wire, branches or objects lodged in the blade while engine is running or while wire is attached to spark plug.
4. Remove loose objects from area before each mowing. Avoid striking rocks, or roots, or other objects. Loose objects or chips from objects, if struck by the mower blade, may be thrown, causing injury to operator, bystander, property, or to the mower itself.
5. Never leave machine running unattended. Do not permit machine to be operated by persons not acquainted with its use, and the rules for safe operation.
6. Do not run engine indoors, exhaust gases contain carbon monoxide which is odorless and is a deadly poison. If for some reason the engine is run indoors, open all doors and windows to provide sufficient ventilation.
7. When mowing a terrace, slope or incline, mow lengthwise. Do not mow up and down.
8. Disengage self propelling unit or drive clutch on units so equipped before starting.
9. Do not fill gasoline tank when engine is running or while engine is hot. Wipe off any spilled gasoline before starting engine. Gasoline is highly flammable, always handle with care.
10. If your mower is equipped with a ratchet type self starter, be sure and read the handling and safety precautions in the engine manual furnished with this mower.



MONTGOMERY WARD